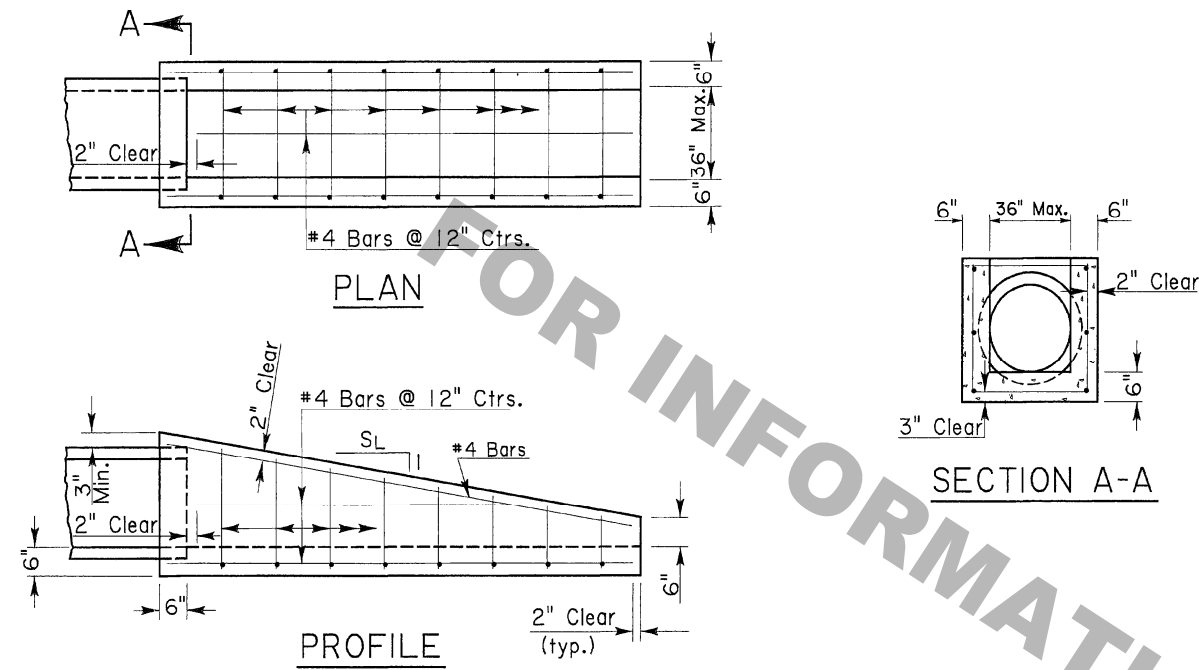


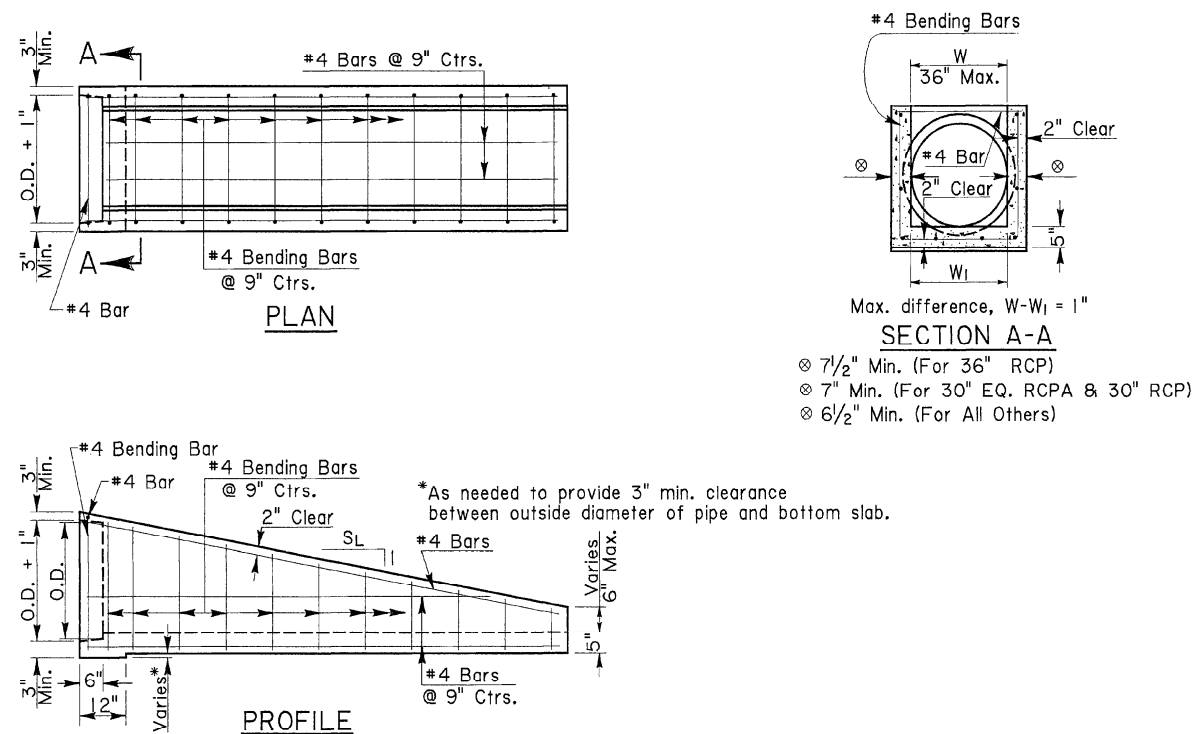
28-NOV-2007 11:17

# CAST-IN-PLACE ALTERNATE

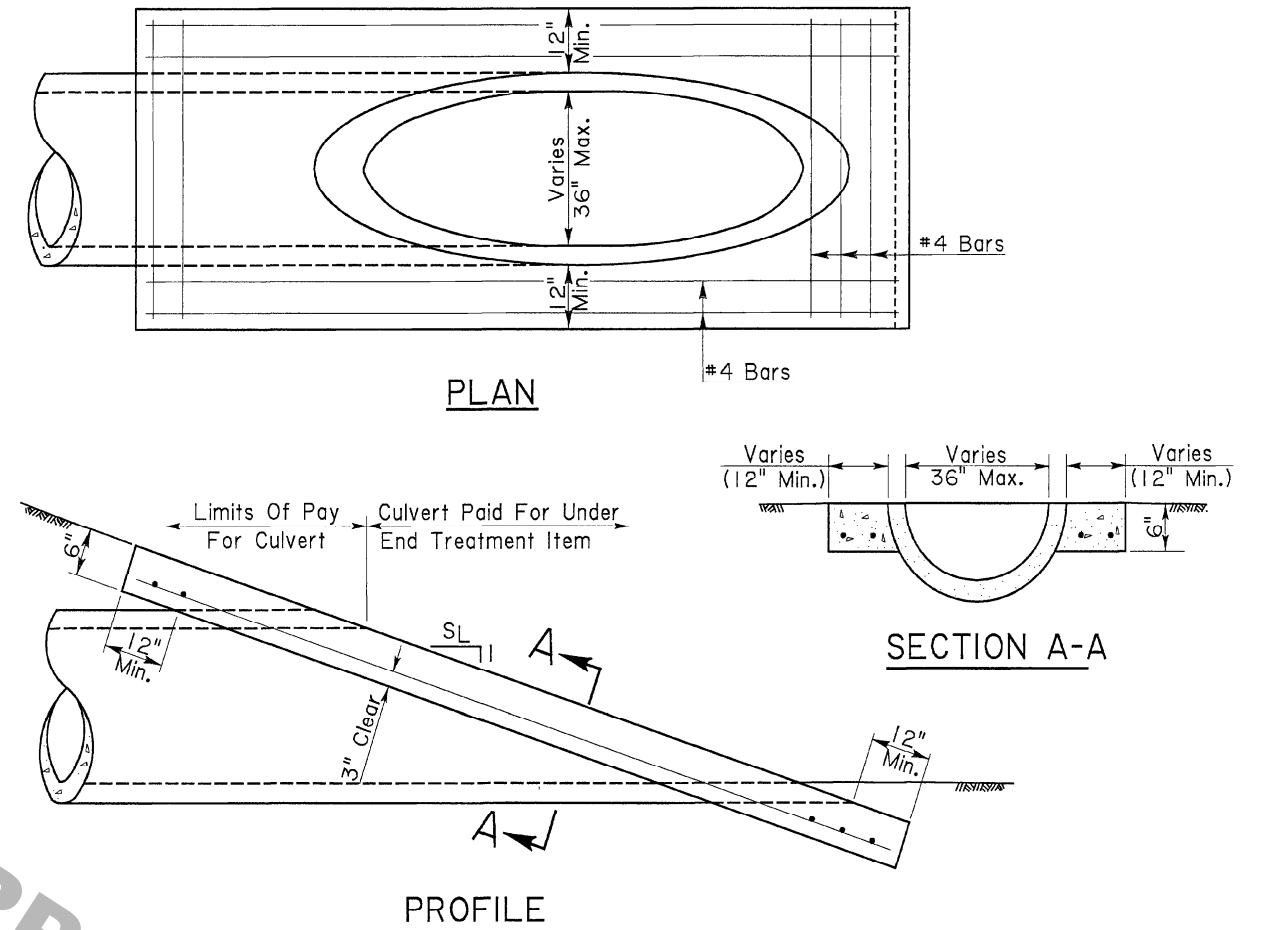


# PRECAST ALTERNATE

- Notes:
- Concrete to be 4000 psi & reinforcing steel to be Grade 60.
  - RCP bell ends which exceed the normal pipe outside diameter (O.D.) shall be removed.
  - Pipe connections shall be sealed with flexible gasket material.
  - Exposed corners may be chamfered  $\frac{3}{4}$ ".



# MITERED PIPE ALTERNATE



### General Notes: (Cast-in-Place, Precast & Mitered Pipe Alternate)

- While a RCP culvert is detailed, this Safety End shall also be used with RCPA, CMP, CMPA, and RCB culverts. Multiple culverts require multiple Safety Ends.
- Slope of Safety End walls (SL:1) shall match the required sideslope. If no sideslope is given, a slope of 4:1 shall be required.
- The Safety End shall be cast-in-place or precast concrete units and shall be in accordance with Section 702 of the LA DOTD Standard Specifications.



SPECIAL DETAIL NO.	SETCRD1	SHEET	1 OF 1
CROSS DRAIN SAFETY END - TYPE I			
Maximum Pipe Sizes: 36" RCP 36" CMP 30" Eq. RCPA 30" Eq. CMPA			
DATED April 22, 1991			
STATE OF LOUISIANA DEPARTMENT OF TRANSPORTATION AND DEVELOPMENT			
DESIGNED PAA	DETAILED KAJ	DIR. spdetail/sofyyend	
CHECKED PAA	CHECKED PAA	FILE sofcrd.dgn	
HYDRAULICS SECTION			

DATE	DESCRIPTION	BY
1-16-98	Added Special Detail Name SETCRD1	JCM
10-27-97	Added Limits Of Pay For Culvert	JCM
9-27-93	General Revisions	WMR
7-10-92	Revised General Notes & Notes	PAA
6-22-92	Removed Sack Alternate, added Precast B	PAA
8-5-91	Mitered Pipe Alternate, revised Cast-In-Place	PAA
8-5-91	General Revisions	PAA

R:\Standard Plans\Special Details\English\Old Sheets\setcrd1.dgn